

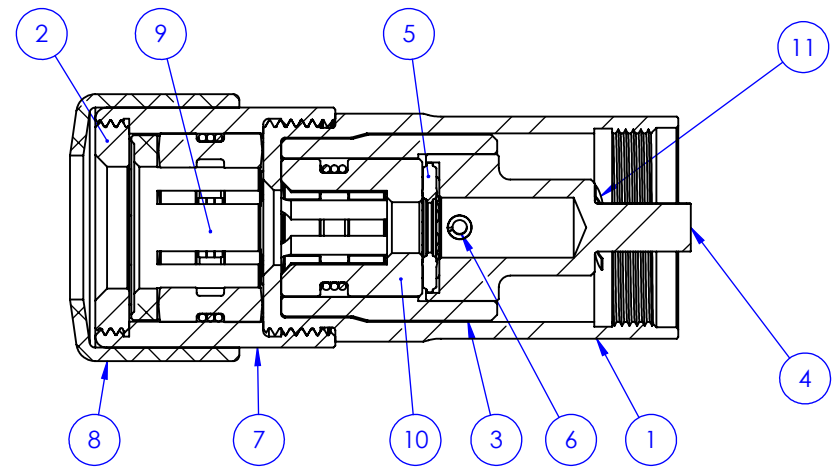
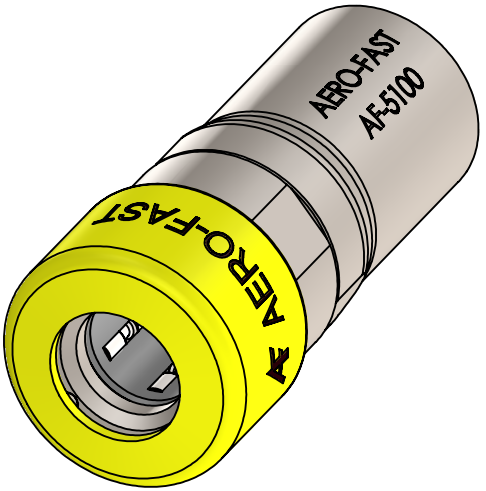
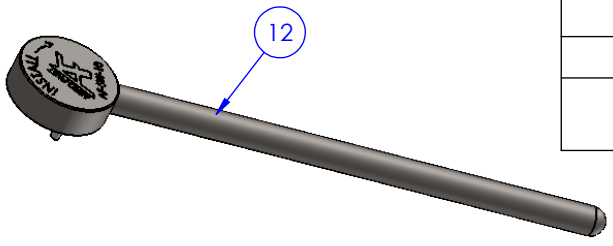
2

1

ITEM NO.	PART NUMBER	DESCRIPTION	QTY.
1	AF-51001	BODY HOUSING ADAPTER	1
2	AF-51005	BODY ROLLER CAGE RETAINER	1
3	AF-51008	NUT ROLLER HOUSING	1
4	AF-51010	HEX SHAFT ADAPTER	1
5	AF-51012	THRUST BEARING	1
6	AF-51013	ROLL PIN	2
7	AF-51017	BODY HOUSING	1
8	AF-51019	PROTECTIVE CAP	1
9	AF-51020-A	BODY ROLLER CAGE ASSY	1
10	AF-51021-A	NUT ROLLER CAGE ASSY	1
11	AF-51022	WAVE WASHER	1
12	AF-SW-10	RETAINER SPANNER WRENCH	ORDER SEPARATE

B

B



A

A

**AERO-FAST**  
 CHINO, CA WWW.AEROFAST.NET  
 TITLE: CYLINDRICAL INSTALLATION FRONT END,  
 NON-GUIDE BUSHING, AF-10 TOOL

**PROPRIETARY AND CONFIDENTIAL**

THE INFORMATION CONTAINED IN THIS DRAWING IS THE SOLE PROPERTY OF AERO-FAST. ANY REPRODUCTION IN PART OR AS A WHOLE WITHOUT THE WRITTEN PERMISSION OF AERO-FAST IS PROHIBITED.

UNLESS OTHERWISE SPECIFIED:  
 DIMENSIONS ARE IN INCHES  
 TOLERANCES:  
 FRACTIONAL ± 1/64"  
 ANGULAR: ± 1 DEGREE  
 .XX ±.010  
 .XXX ±.005

MATERIAL	DRAWN	CLINTON	5/14/2016
HEAT TREAT	CHECKED		
FINISH	ENG APPR.		
	MFG APPR.		

SIZE	DWG. NO.	REV
<b>A</b>	<b>AF-5100</b>	<b>NR</b>
SCALE: 1:1	WEIGHT:	SHEET 1 OF 1

2

1